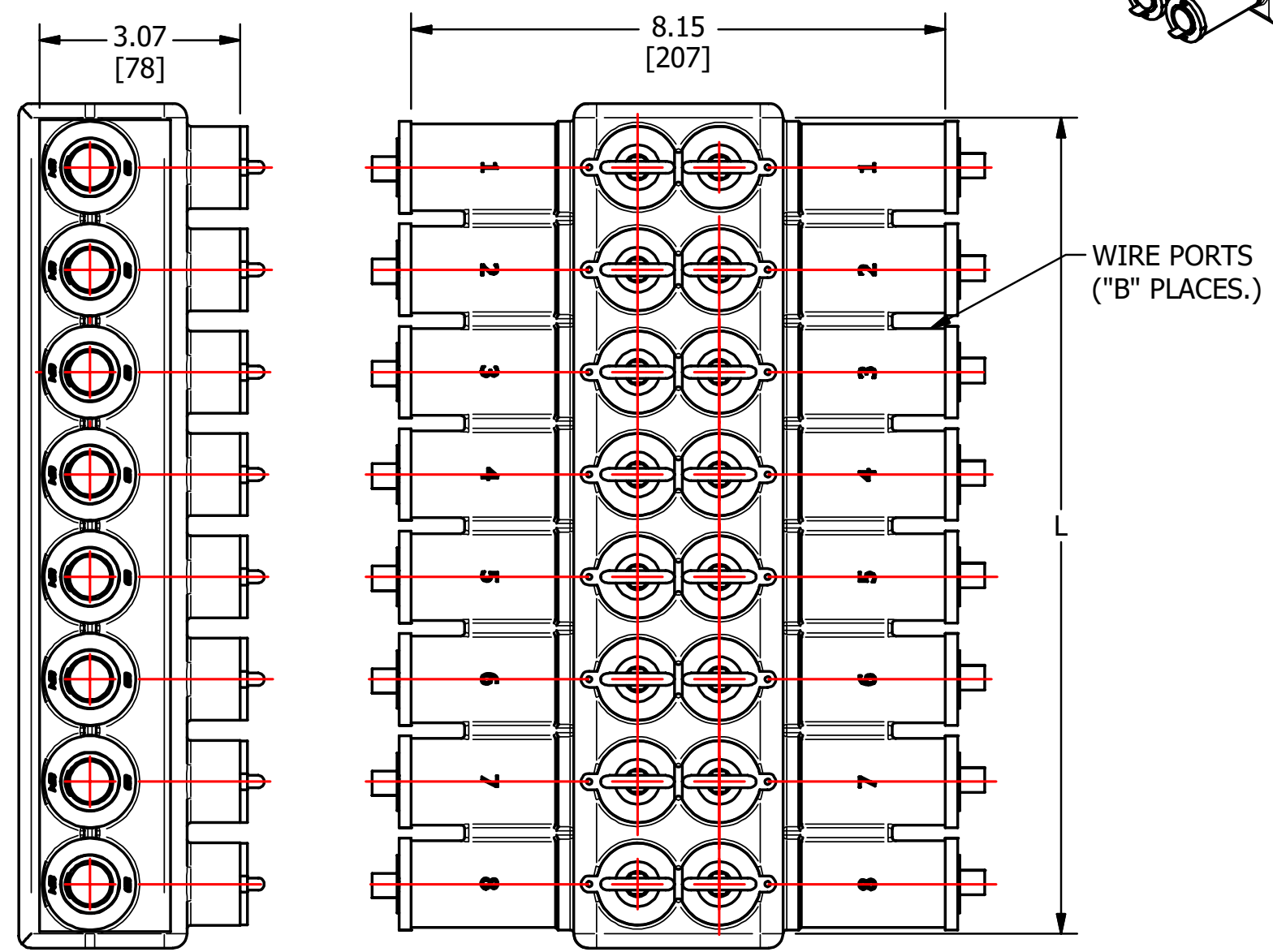
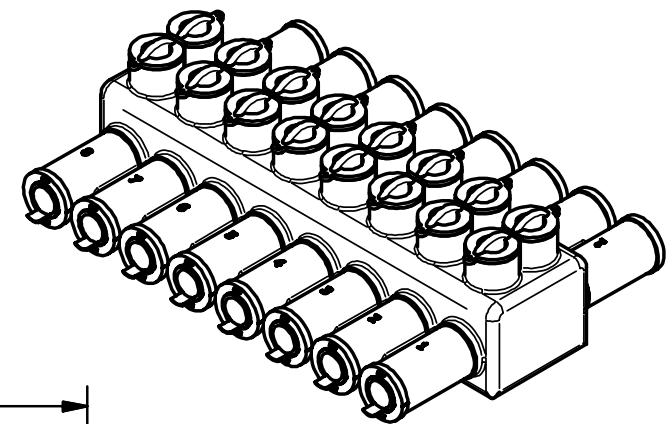
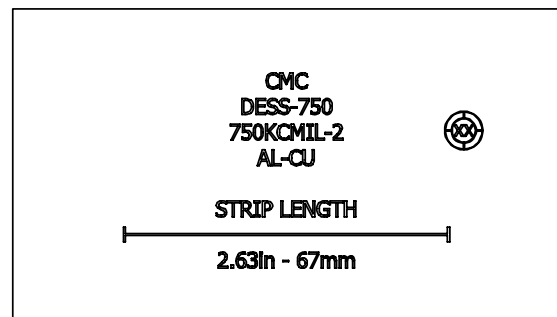


S.NO	CATALOG NUMBER	"L"	"B"
1	DESS750-3	4.57 [116]	6
2	DESS750-3I	4.57 [116]	6
3	DESS750-4	6.13 [156]	8
4	DESS750-4I	6.13 [156]	8
5	DESS750-5	7.69 [195]	10
6	DESS750-5I	7.69 [195]	10
7	DESS750-6	9.25 [235]	12
8	DESS750-6I	9.25 [235]	12
9	DESS750-7	10.81 [275]	14
10	DESS750-7I	10.81 [275]	14
11	DESS750-8	12.37 [314]	16
12	DESS750-8I	12.37 [314]	16

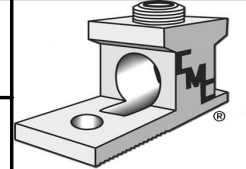


					TO ORDER CMC PRODUCTS CALL 1-513-860-4455	DRAWN BY: TS 08-08-19	NAME OF PART: SUBMERSIBLE SECONDARY CONNECTOR	CAT. NO.: SEE TABLE
					FOR PRODUCT INFO: http://www.cmclugs.com	CHECKED BY:	DWG NO: U22700118-S (CHARTED)	A
A	NEW DRAWING CREATED		08-08-19	TS		DRAWING NOT TO SCALE		SHEET NO: 1 OF 1
REV.	DESCRIPTION	ECN	DATE	INIT.				

THIS INFORMATION IS PROPRIETARY TO CONNECTOR MFG. CO. AND IS NOT TO BE DISCLOSED OUTSIDE OF CONNECTOR MFG. CO. WITHOUT A CONFIDENTIALITY AGREEMENT



CONNECTOR MANUFACTURING CO.



HAMILTON, OHIO